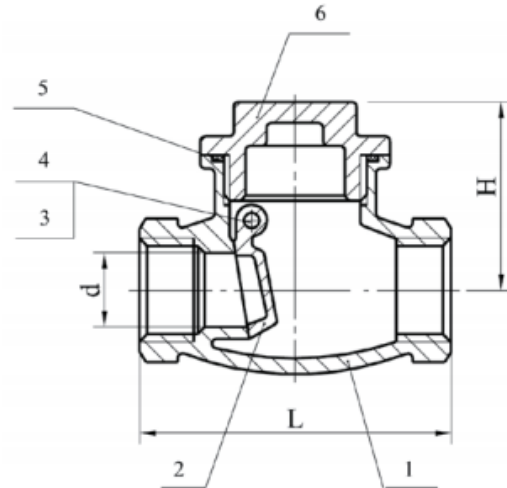




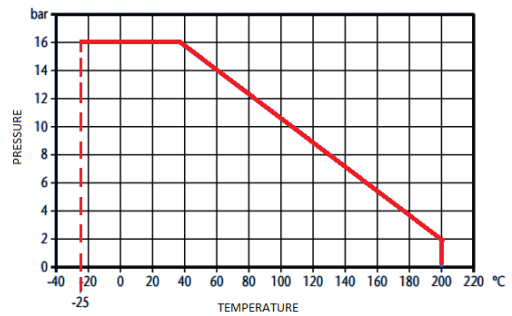
**BDE (NORTHAMPTON) LTD**

## PN16 STAINLESS STEEL SWING CHECK VALVE



### FEATURES

- Screwed BSP Parallel
- Metal Seat
- PTFE Joint Gasket



DN	1/4"	3/8"	1/2"	3/4"	1"	1.25"	1.5"	2"
D	10	12	15	20	25	32	40	50
L	63	63	63	74	85	101	115	135
H	42	42	42	46	50	54	64	71
Kgs	0.27	0.26	0.25	0.34	0.47	0.76	1.03	1.45

ITEM	PART NAME	MATERIAL
1	Body	CF8M
2	Disc	CF8M
3	Pipe Plug	316 Stainless Steel
4	Plug Gasket	PTFE
5	Body Gasket	PTFE
6	Cap	CF8M

### TECHNICAL DATA

- Maximum Pressure: 16 Bar
- Working Temperature: -25°C to +200°C