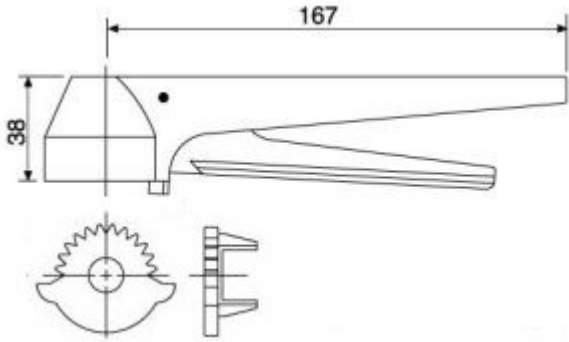




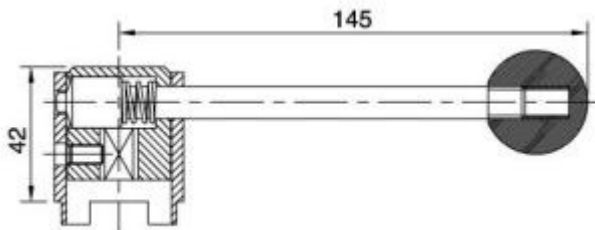
BDE (NORTHAMPTON) LTD

BUTTERFLY VALVE SPARES



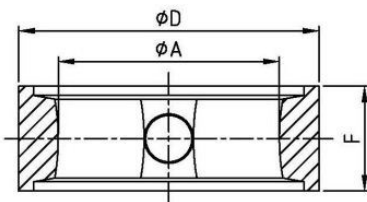
STANDARD BUTTERFLY VALVE HANDLE

- Plastic - Nylon Reinforced Handle
- 304 Stainless Steel gripper bar
- 12 Position notch plate
- ALSO AVAILABLE IN FULL STAINLESS STEEL - GRADE 304



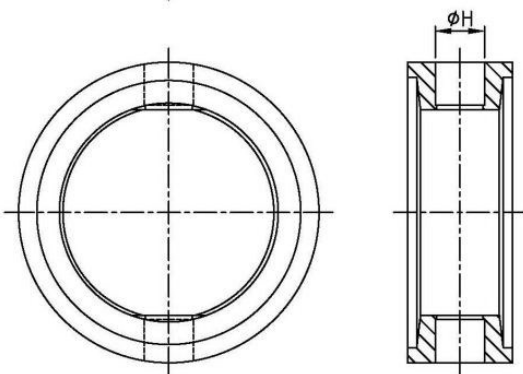
ALTERNATIVE BUTTERFLY VALVE HANDLE

- 4 Position "PULL" type handle
- **12 POSITION LOCKABLE HANDLE IN 304 STAINLESS STEEL ALSO AVAILABLE.**



BUTTERFLY VALVE SEALS

- EPDM as standard
- VITON & SILICONE replacement seals are also available



SIZE	1"	1.5"	2"	2.5"	3"	4"
ϕA	21.0	34.0	48.5	60.3	69.5	99.0
ϕD	38.1	51.8	65.9	75.9	88.4	121.0
F	23.0	23.0	23.0	23.0	25.0	29.0
ϕE	10.8	10.8	10.8	10.8	10.8	14.7