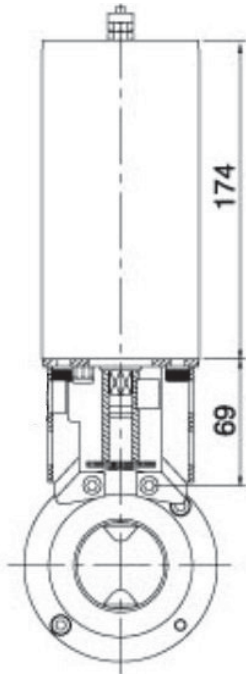




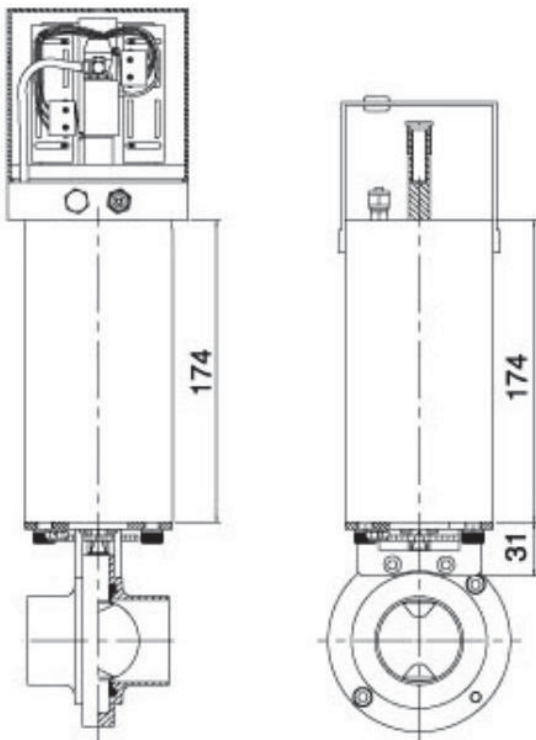
BDE (NORTHAMPTON) LTD

1" - 3" C1 & C2 ACTUATORS



C1 ACTUATOR 304 - AIR/SPRING

- 304 Stainless Steel.
- Air / Spring operation.
- **FOR USE WITH:** 1" - 3" Butterfly Valves.
- **C1 SHUT OFF TIME:** 1.5 Seconds.
- **C1 OPERATING PRESSURE:** 6M/KG2 - Min: 5 bar
Max: 9 bar compressed air
- **C1 AIR CONSUMPTION:** 0.266 Litre @ 5 bar
- **C1 WEIGHT:** 3.85kg
- **MAX OUTPUT TORQUE:** 20N/M
- **ACTUATOR DRIVE HEAD:** 12mm x 12mm Square
- Individually wrapped C/W mounting Kit



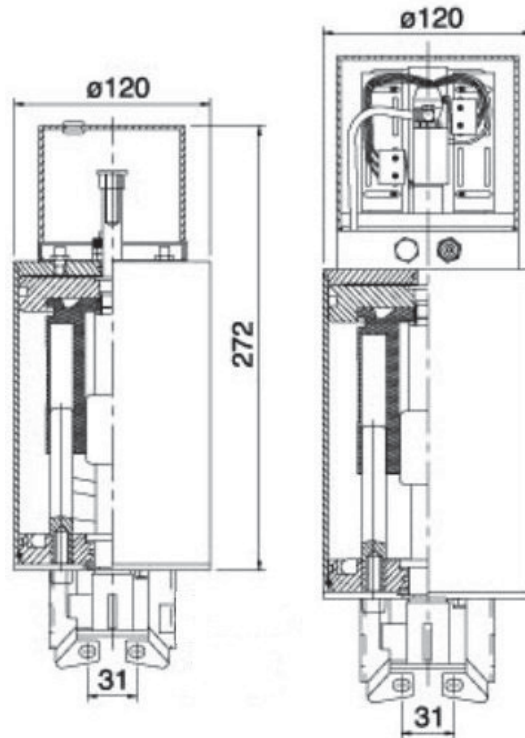
C2 ACTUATOR 304 - AIR/SPRING

- 304 Stainless Steel.
- Air / Spring operation.
- Can be used with / without a control box
- **FOR USE WITH:** 1" - 3" Butterfly Valves.
- **C2 SHUT OFF TIME:** 1.5 Seconds.
- **C2 OPERATING PRESSURE:** 6M/KG2 - Min: 5 bar -
Max: 9 bar compressed air
- **C2 AIR CONSUMPTION:** 0.266 Litre @ 5 bar
- **C2 WEIGHT:** 3.85kg
- **MAX OUTPUT TORQUE:** 20N/M
- **ACTUATOR DRIVE HEAD:** 12mm x 12mm Square
- Individually wrapped - C/W mounting kit.



BDE (NORTHAMPTON) LTD

4" C101 ACTUATOR



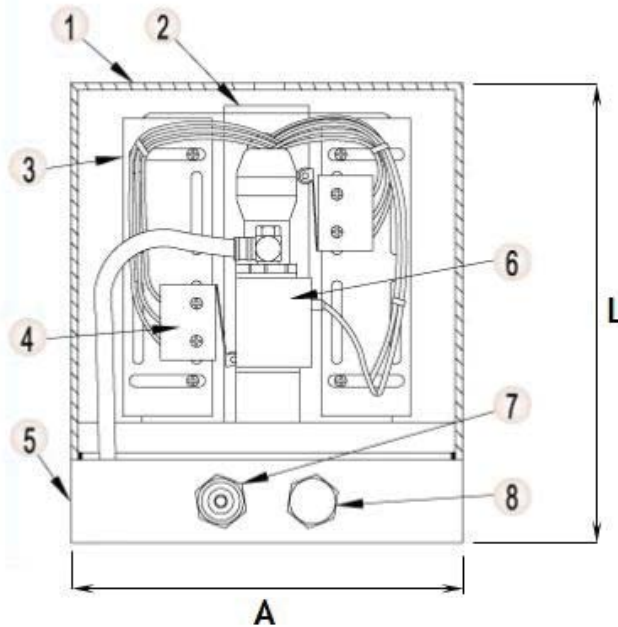
C101 ACTUATOR 304 - AIR/SPRING

- 304 Stainless Steel.
- Air / Spring operation.
- Can be used with / without a control box
- **FOR USE WITH:** 4" Butterfly Valves.
- **C101 SHUT OFF TIME:** 1.7 Seconds.
- **C101 OPERATING PRESSURE:** 6M/KG2 - Min: 5 bar - Max: 9 bar compressed air
- **C101 AIR CONSUMPTION:** 0.550 Litre @ 5 bar
- **C101 WEIGHT:** 4.7kg
- **MAX OUTPUT TORQUE:** 30N/M
- **ACTUATOR DRIVE HEAD:** 12mm x 12mm Square
- Individually wrapped - C/W mounting kit.



BDE (NORTHAMPTON) LTD

CONTROL BOX - FOR USE WITH C2 & C101 ACTUATOR



DIMENSION:

L = 108mm

A = 105mm

CONTROL BOX:

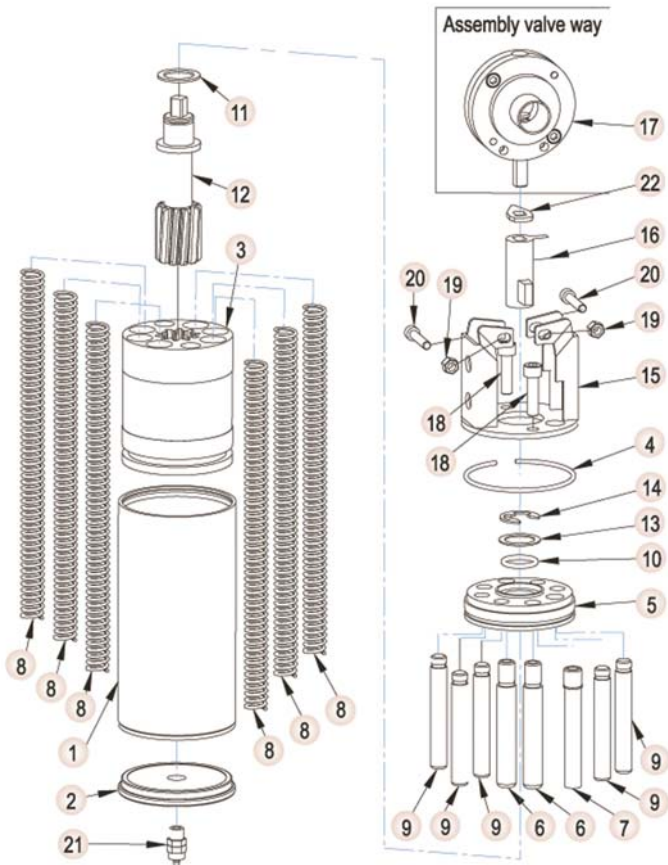
- Grade 304 Stainless Steel
- For use with C2 & C101 actuator
- 3A 125V, 30VDC MICRO-SWITCHES 2PCE
- 24V DC 3.0 SOLENOID VALVE

ITEM	PART NAME	QTY	MATERIAL
1	COVER	1	304 ST/ST
2	SWITCH PLATE	1	304 ST/ST
3	PLASTIC HANGER	2	304 ST/ST
4	MICRO SWITCH	2	3A 125VAC; 30VDC
5	AIR MANIFOLD	1	304 ST/ST
6	ELECTRO-VALVE	1	DC24 3.0W
7	AIR CONNECTION	1	COPPER
8	E/N CONNECT PIECE	1	304 ST/ST



BDE (NORTHAMPTON) LTD

C2 ACTUATOR CONSTRUCTION



C1 & C2 MAX OUTPUT TORQUE - 20N/m

C101 MAX OUTPUT TORQUE - 30N/m

ITEM	PART NAME	QTY	MATERIAL
1	ST/ST CYLINDER	1	304 ST/ST
2	ST/ST CYLINDER CAP	1	304 ST/ST
3	PISTON	1	TENAC 4010/ H410
4	LOCK WIRE CLIP	1	304 ST/ST
5	LOWER CYLINDER END	1	304 ST/ST
6	PISTON GUIDE PART	2	304 ST/ST
7	PISTON GUIDE PART	1	304 ST/ST
8	COMPRESS SPRING	6	304 ST/ST
9	PISTON GUIDE PART	5	304 ST/ST
10	PISTON AXLE O-RING	1	TEFLON
11	TEFLON GASKET	1	TEFLON
12	COUPLING AXLE PIECE	1	304 ST/ST
13	CONTACT SEAL	1	304 ST/ST
14	CIRCLIP	1	304 ST/ST
15	MOUNTING BRACKET	1	304 ST/ST
16	CONNECTION PIECE	1	304 ST/ST
17	ASSEMBLY VALVE WAY	1	304/316
18	M8 x 12 ST/ST SCREW	2	304 ST/ST
19	M6 NUT	2	304 ST/ST
20	M6 x 35 ST/ST SCREW	2	304 ST/ST
21	AIR CONNECTION	1	COPPER
22	POSITIONING INDEX	1	304 ST/ST