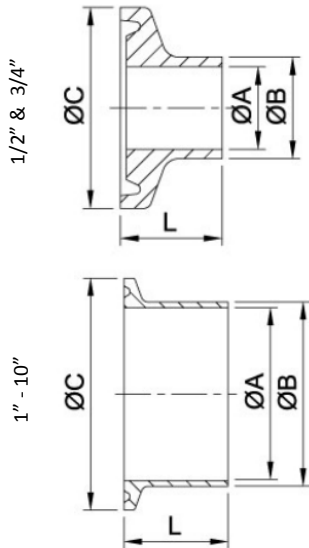




BDE (NORTHAMPTON) LTD

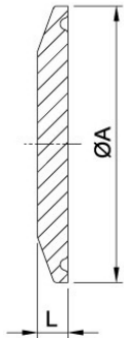
CLAMP UNION (BS4825 PT3)



• **CLAMP FERRULE 316**

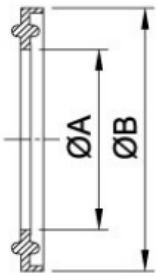
SIZE	1/2"	3/4"	1"	1.5"	2"	2.5"
A	9.40	15.75	22.10	34.80	47.50	60.20
B	12.70	19.05	25.40	38.10	50.80	63.50
C	25.00	25.00	50.50	50.50	64.00	77.50
L	21.50	21.50	21.50*	21.50*	21.50*	21.50*
SIZE	3"	4"	5"	6"	8"	10"
A	72.90	97.40	125.00	150.00	200.00	247.20
B	76.20	101.60	129.00	154.00	204.00	254.00
C	91.00	119.00	144.50	166.87	217.67	268.47
L	21.50*	21.50*	28.00	21.50*	21.50*	21.50*

*Also stocked in 28mm long.



• **CLAMP BLANK 316**

SIZE	1/2" - 3/4"	1" - 1.5"	2"	2.5"	3"
A	25.00	50.50	64.00	77.50	91.00
L	6.00	6.30	6.30	6.30	6.30
SIZE	4"	5"	6"	8"	10"
A	119.00	144.5	166.87	217.70	268.50
L	7.90	10.00	11.10	11.10	11.10



• **LIPPED CLAMP JOINT RING - BLUE EPDM**

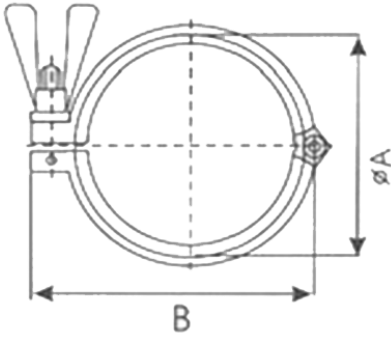
SIZE	1/2"	3/4"	1"	1.5"	2"	2.5"
A	9.90	16.30	22.80	35.80	48.80	60.50
L	21.80	21.80	52.70	52.70	66.20	79.70
SIZE	3"	4"	5"	6"	8"	10"
A	73.10	97.80	123.00	148.00	198.60	249.00
L	93.20	121.20	144.40	169.10	229.00	270.70

Clamp joint rings are available in the following materials:
 Viton (Green - Lipped & Unlipped) , PTFE solid (White - Unlipped),
 Silicone (Opaque - unlipped) , PTFE Envelope (Unlipped)



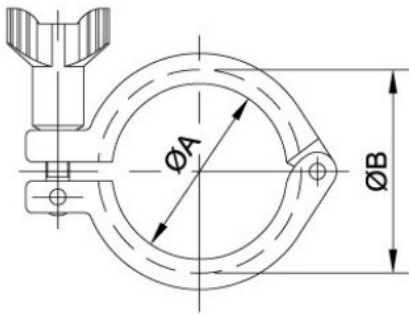
BDE (NORTHAMPTON) LTD

CLAMP UNION (BS4825 PT3)



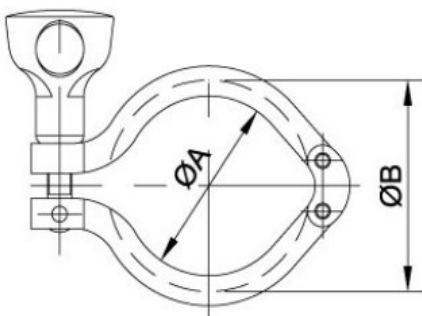
- BSF TYPE CLAMP 304 (SINGLE HINGED)**

SIZE	1/2" - 3/4"	1" - 1.5"	2"	2.5"	3"	4"
A	28.00	53.00	67.40	80.90	94.40	122.00
B	47.00	85.50	99.00	112.00	128.50	157.50



- SINGLE HINGED CLAMP 304**

SIZE	1/2" - 3/4"	1" - 1.5"	2"	2.5"	3"
A	20.00	44.40	57.80	71.40	84.00
B	28.20	53.60	67.00	80.60	94.20
SIZE	4"	5"	6"	8"	
A	110.00	133.60	155.40	205.00	
B	19.20	144.50	170.40	220.00	



- DOUBLE HINGED CLAMP 304 (13MHM)**

SIZE	1" - 1.5"	2"	2.5"	3"	4"
A	43.60	57.00	70.60	84.00	112.00
B	53.60	67.00	80.60	94.00	122.00