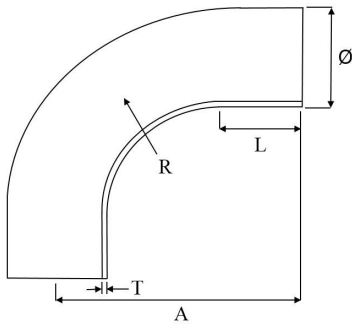




**BDE (NORTHAMPTON) LTD**

## 90 DEGREE & 45 DEGREE ELBOWS

### • 90 DEGREE ISO BEND - (BS4825 PT2 LONG)

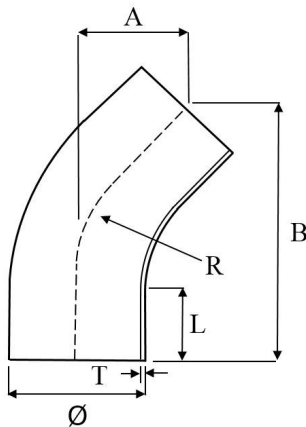


SIZE	1/2"	3/4"	1"	1.25"	1.5"	2"	2.5"	3"	4"
Ø	12.7	19.0	25.4	31.8	38.1	50.8	63.5	76.1	101.6
T	1.6	1.6	1.6	1.6	1.6	1.6	1.6	1.6	2.0
R	26.0	29.0	37.5	48.0	57.0	76.5	95.3	114.0	153.0
A	40.0	50.0	65.0	80.0	85.0	110.0	135.0	155.0	195.0
L	12.5	20.0	27.5	33.5	28.0	33.5	39.7	40.8	42.5

Finishes Available: Dull Polished & Descaled  
Grades: 304L & 316L  
1.5D Radius

NOTE: 1/2", 3/4" & 1.25" NOT ISO STANDARD

### • 45 DEGREE BEND

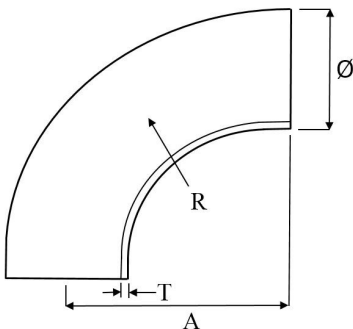


SIZE	1/2"	3/4"	1"	1.25"	1.5"	2"	2.5"	3"	4"
Ø	12.7	19.05	25.4	31.8	38.1	50.8	63.5	76.1	101.6
T	1.6	1.6	1.6	1.5	1.6	1.6	1.6	1.6	2.0
R	19.0	28.0	38.0	48.0	57.0	76.5	95.3	114.0	153.0
A	18.0	21.8	21.4	30.8	29.2	41.5	53.8	63.8	86.4
B	45.0	55.0	51.50	77.0	70.5	100.0	130.0	154.0	209.0
L	15.0	20.0	14.6	22.0	17.7	27.0	36.7	42.9	59.2

Finishes Available: Dull Polished & Descaled in 316L  
1.5D Radius

NOTE: LENGTHS MAY VARY

### • 90 DEGREE BS BEND - (BS4825 PT2 SHORT)



SIZE	1"	1.5"	2"	2.5"	3"	4"
Ø	25.4	38.1	50.8	63.5	76.1	101.6
T	1.6	1.6	1.6	1.6	1.6	2.0
R	37.5	57.0	76.5	95.3	114.0	153.0
A	44.0	64.0	89.0	114.0	134.0	174.0

Finishes Available: Dull Polished & Descaled in 316L  
1.5D Radius

NOTE: LENGTHS MAY VARY

ALTERNATIVE ENDS CAN BE WELDED - CLAMP/RJT/DIN/IDF OR SMS

Tel: 01604 750380  
Email: sales@bdeld.co.uk

Fax: 01604 750377  
www.bdeld.co.uk