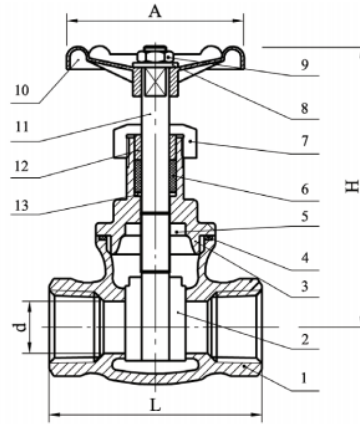




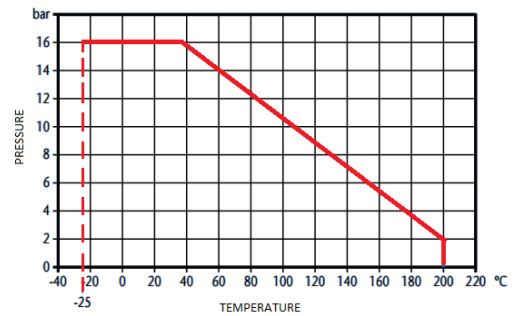
BDE (NORTHAMPTON) LTD

PN16 STAINLESS STEEL GATE VALVE



FEATURES

- Screwed BSP Parallel
- PTFE Seats
- Full Bore
- PN16 Rated



DN	1/4"	3/8"	1/2"	3/4"	1"	1.25"	1.5"	2"
D	10	12	15	20	25	32	40	50
L	55	55	55	60	65	73	76	85
H	98	98	98	104	115	125	137	160
A	66	66	66	72	72	97	97	108
Kgs	0.42	0.42	0.41	0.53	0.69	0.99	1.31	1.85

ITEM	PART NAME	MATERIAL
1	Body	CF8M
2	Disc	CF8M
3	Bonnet	CF8M
4	Gasket	PTFE
5	Snap Washer	316 Stainless Steel
6	Packing	PTFE
7	Packing Nut	316 Stainless Steel
8	Washer	304 Stainless Steel
9	Wheel Nut	304 Stainless Steel
10	Hand Wheel	Aluminium Alloy
11	Stem	316 Stainless Steel
12	Gland	304 Stainless Steel
13	Snap Washer	304 Stainless Steel

TECHNICAL DATA

- Maximum Pressure: 16 Bar
- Working Temperature: -25°C to +200°C