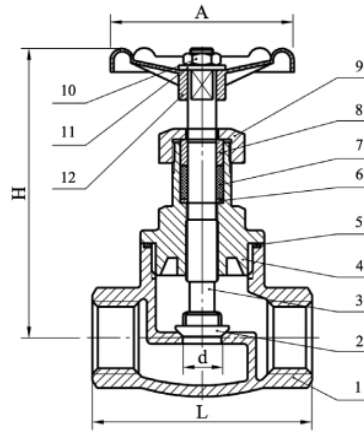




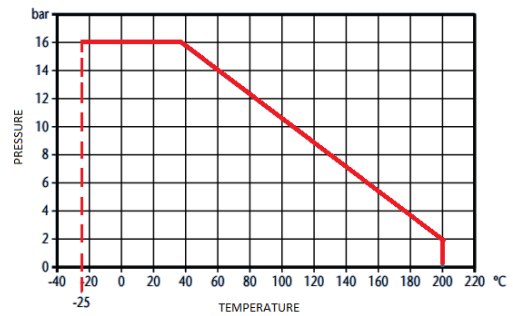
BDE (NORTHAMPTON) LTD

PN16 STAINLESS STEEL GLOBE VALVE



FEATURES

- Screwed BSP Parallel
- PTFE Seats
- Metal Seat
- PN16 Rated



| DN | 1/4" | 3/8" | 1/2" | 3/4" | 1" | 1.25" | 1.5" | 2" |
|-----|------|------|------|------|------|-------|------|------|
| D | 10 | 12 | 15 | 20 | 25 | 32 | 40 | 50 |
| L | 67 | 67 | 67 | 80 | 89 | 100 | 118 | 134 |
| H | 79 | 79 | 79 | 91 | 106 | 125 | 136 | 146 |
| A | 66 | 66 | 66 | 71 | 77 | 90 | 105 | 105 |
| Kgs | 0.42 | 0.42 | 0.40 | 0.57 | 0.80 | 1.30 | 1.84 | 2.40 |

| ITEM | PART NAME | MATERIAL |
|------|--------------|---------------------|
| 1 | Body | CF8M |
| 2 | Petal | 316 Stainless Steel |
| 3 | Stem | 316 Stainless Steel |
| 4 | Cap | CF8M |
| 5 | Gasket | PTFE |
| 6 | Washer | 304 Stainless Steel |
| 7 | Stem Packing | PTFE |
| 8 | Ring | 304 Stainless Steel |
| 9 | Gland Ring | 304 Stainless Steel |
| 10 | Wheel Nut | 304 Stainless Steel |
| 11 | Plate | 304 Stainless Steel |
| 12 | Hand Wheel | Aluminium Alloy |

TECHNICAL DATA

- Maximum Pressure: 16 Bar
- Working Temperature: -25°C to +200°C