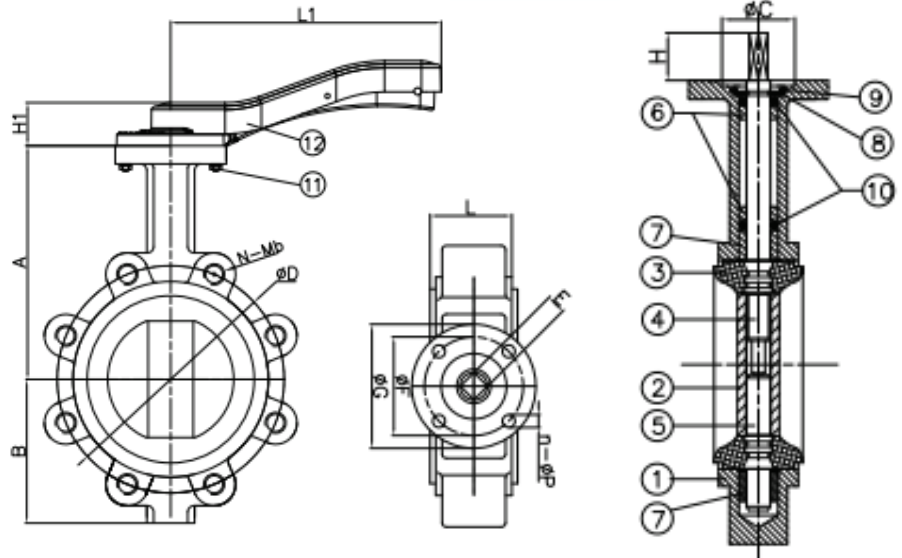


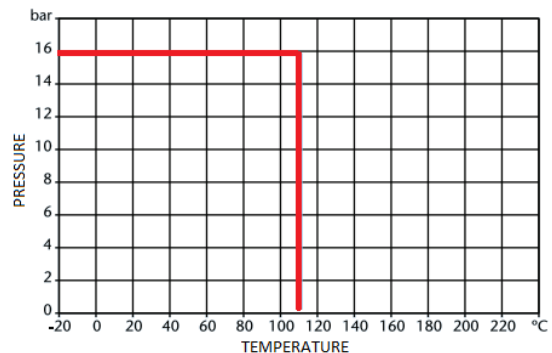

**BDE (NORTHAMPTON) LTD**

## DUCTILE IRON BUTTERFLY VALVE - LUGGED & TAPPED TYPE



### FEATURES

- Flange mounting PN16 Only
- BS5155 (BS EN 593)
- 316 Stainless Steel Disc
- ISO 5211 Direct Mount
- Lockable Handle
- Epoxy Coat Finish
- WRAS Approved



DN	50	65	80	100	125	150	200	250	300
A	142	154	161	179	193	204	250	282	326
B	75	80	91	110	125	137	178	208	241
C	56	56	56	56	56	56	71	71	71
D	125	145	160	180	210	240	295	355	410
E	11	11	11	11	14	14	17	22	22
F	70	70	70	70	70	70	102	102	102
G	90	90	90	90	90	90	125	125	125
H	19	19	19	19	19	19	25	30	30
H1	31	31	31	36	36	36	42	42	42
L	41.4	44	44.6	51.4	53.8	55.1	59.5	65	75.9
L1	176	176	176	225	225	225	300	359	359
Holes	4 x M16	4 x M16	8 x M16	8 x M16	8 x M16	8 x M20	12 x M20	12 x M24	12 x M24
n-∅p	4 x 10	4 x 10	4 x 10	4 x 10	4 x 10	4 x 10	4 x 12	4 x 12	4 x 12
Torque Kgs	19	21	28	43	60	91	194	295	412
	3.55	3.95	5.25	7	8.65	10.1	18.2	26.8	35.5

ITEM	PART NAME	MATERIAL
1	Body	Ductile Iron GGG40
2	Disc	316 Stainless Steel
3	Seat	WRAS EPDM
4	Upper Shaft	410 Stainless Steel
5	Lower Shaft	411 Stainless Steel
6	Short Bush	PTFE
7	Long Bush	PTFE
8	Split Pin	Spring Steel
9	Circlip	Spring Steel
10	O-Ring	WRAS EPDM
11	Bolt	Carbon Steel
12	Lever	DN50-150 Aluminium DN200-300 DI

### TECHNICAL DATA

- Maximum Pressure: 16 Bar
- Working Temperature: -20°C to +110°C

Tel: 01604 750380  
Email: sales@bdeld.co.uk

Fax: 01604 750377  
www.bdeld.co.uk