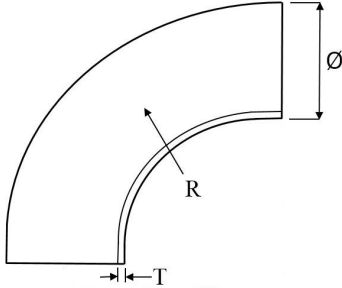




BDE (NORTHAMPTON) LTD

METRIC FITTINGS

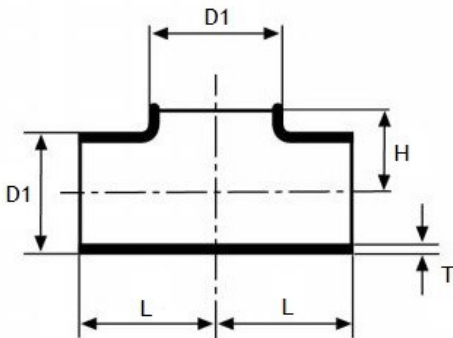


• **90 deg METRIC ELBOW**

SIZE	84 x 2	104 x 2	129 x 2	154 x 2	204 x 2	254 x 2
Ø	84.00	104.00	129.00	154.00	204.00	254.00
R	120.00	150.00	187.00	225.00	300.00	350.00
T	2.00	2.00	2.00	2.00	2.00	2.00

Available in both grade 304 & 316

45 DEGREE ELBOWS ALSO STOCKED IN 316



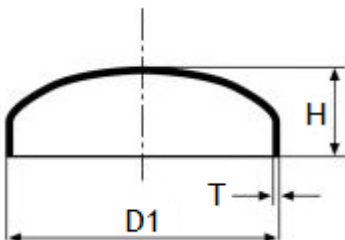
• **AS PULLED METRIC TEE**

SIZE	5" (129mm)	6" (154mm)	8" (204mm)	10" (254mm)
D1	129.00	154.00	204.00	254.00
H	70.00	84.00	110.00	140.00
L	124.00	143.00	178.00	250.00
T	2.00	2.00	2.00	2.00

Available in both grade 304 & 316

Smaller & Larger sizes available on request.

Please note: Dimension "H" can vary, due to being produced as pulled



• **METRIC DOMED END CAP 316**

SIZE	5" (129 x 2)	6" (154 x 2)	8" (204 x 2)
D1	129.00	154.00	204.00
H	34.00	41.00	50.00
T	2.00	2.00	2.00

Smaller & Larger sizes available on request.

OD End caps also available

METRIC TUBE AVAILABLE EX-STOCK - SEE OUR HYGIENIC TUBE PAGE

Tel: 01604 750380
Email: sales@bdeltd.co.uk

Fax: 01604 750377
www.bdeltd.co.uk