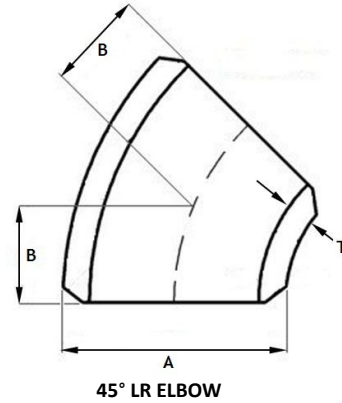
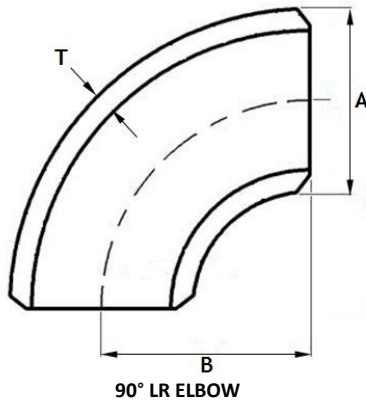




BDE (NORTHAMPTON) LTD

SCHEDULE 10 & 40 - LR ELBOW'S



• **NB SCH 10 - 90D LR ELBOW 304L / 316L**

SIZE	1/2"	3/4"	1"	1.25"	1.5"	2"	2.5"	3"	4"	5"	6"
A	21.30	26.60	33.40	42.10	48.10	60.30	73.00	88.90	114.30	141.30	168.30
B	38.10	28.60	38.10	47.60	57.20	76.20	95.20	114.00	152.00	191.00	228.00
T	2.11	2.11	2.77	2.77	2.77	2.77	3.05	3.05	3.05	3.40	3.40

• **NB SCH 40 - 90D LR ELBOW 304L / 316L**

SIZE	1/2"	3/4"	1"	1.25"	1.5"	2"	2.5"	3"	4"	5"	6"
A	21.3	26.6	33.4	42.1	48.1	60.3	73.0	88.9	114.3	141.3	168.3
B	38.1	28.6	38.1	47.6	57.2	76.2	95.2	114.0	152.0	191.0	228.0
T	2.77	2.87	3.38	3.56	3.68	3.91	5.16	5.49	6.02	6.55	7.11

• **NB SCH 10 - 45D LR ELBOW 304L / 316L**

SIZE	1/2"	3/4"	1"	1.25"	1.5"	2"	2.5"	3"	4"
A	21.3	26.6	33.4	42.1	48.1	60.3	73.0	88.9	114.3
B	15.88	11.13	22.23	25.40	28.45	35.05	44.45	50.80	63.50
T	2.11	2.11	2.77	2.77	2.77	2.77	3.05	3.05	3.05

• **NB SCH 40 - 45D LR ELBOW 304L / 316L**

SIZE	1/2"	3/4"	1"	1.25"	1.5"	2"	2.5"	3"	4"
A	21.3	26.6	33.4	42.1	48.1	60.3	73.0	88.9	114.3
B	15.88	11.13	22.23	25.40	28.45	35.05	44.45	50.80	63.50
T	2.77	2.87	3.38	3.56	3.68	3.91	5.16	5.49	6.02

BUTT WELD ELBOW INFORMATION

- MANUFACTURED TO ASTM-A403/ANSI B16.9
- STOCKED IN 304L & 316L
- WELDED EX-STOCK - SEAMLESS AVAILABLE ON REQUEST
- SHORT RADIUS AVAILABLE ON REQUEST
- LARGER SIZES AVAILABLE ON REQUEST
- SEAMLESS AVAILABLE ON REQUEST

**FLANGES & FITTINGS
AVAILABLE TO SUIT EX-STOCK**

Tel: 01604 750380
Email: sales@bdeld.co.uk

Fax: 01604 750377
www.bdeld.co.uk