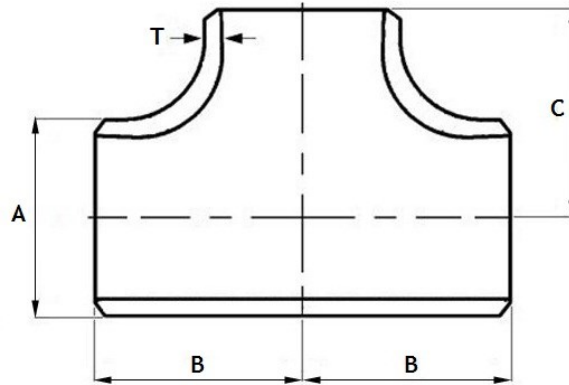




BDE (NORTHAMPTON) LTD

SCHEDULE 10 & 40 - EQUAL TEES



• **NB SCH 10 - EQUAL TEE 304L & 316L**

SIZE	1/2"	3/4"	1"	1.25"	1.5"	2"	2.5"	3"	4"
A	21.3	26.6	33.4	42.1	48.1	60.3	73.0	88.9	114.3
B	25.40	28.70	38.10	47.75	57.15	63.50	76.20	85.85	104.90
C	25.40	28.70	38.10	47.75	57.15	63.50	76.20	85.85	104.90
T	2.11	2.11	2.77	2.77	2.77	2.77	3.05	3.05	3.05

• **NB SCH 40 - EQUAL TEE 304L & 316L**

SIZE	1/2"	3/4"	1"	1.25"	1.5"	2"	2.5"	3"	4"
A	21.3	26.6	33.4	42.1	48.1	60.3	73.0	88.9	114.3
B	25.40	28.70	38.10	47.75	57.15	63.50	76.20	85.85	104.90
C	25.40	28.70	38.10	47.75	57.15	63.50	76.20	85.85	104.90
T	2.77	2.87	3.38	3.56	3.68	3.91	5.16	5.49	6.02

BUTT WELD EQUAL TEE INFORMATION

- MANUFACTURED TO ASTM-A403/ANSI B16.9
- STOCKED IN 304L & 316L
- WELDED EX-STOCK - SEAMLESS CAN BE SUPPLIED
- SEAMLESS & LARGER SIZES AVAILABLE ON REQUEST

**FLANGES & FITTINGS
AVAILABLE TO SUIT EX-STOCK**