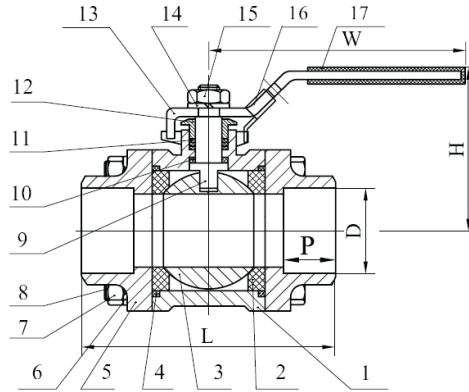




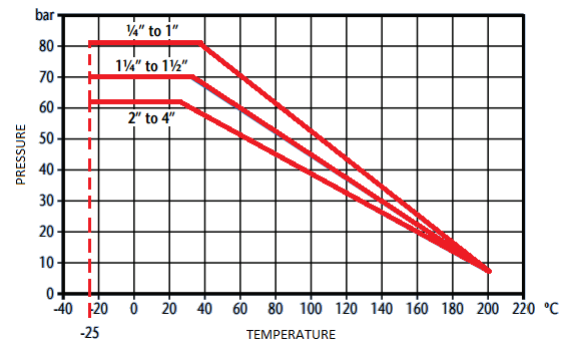
## BDE (NORTHAMPTON) LTD

### PN82 STAINLESS STEEL 3 PIECE BALL VALVE



#### FEATURES

- Socket Weld Ends
- RPTFE (15%) Seats
- PTFE Seals
- Full Bore
- PN82 Rated
- Locking Device



DN	1/4"	3/8"	1/2"	3/4"	1"	1.25"	1.5"	2"	2.5"	3"
D	14	17.6	21.7	27.3	34.1	42.8	48.7	61	77	90
P	10	10	10	13	13	13	13	16	16	16
L	50	60	75	80	90	110	120	140	185	205
H	51	51	53	60	75	80	88	95	121	135
W	105	105	118	118	150	150	182	182	254	254
Torque	4	4	5	8	10	14	18	25	48	75
Kgs	0.38	0.40	0.41	0.71	0.95	1.64	2.36	3.42	6.88	11.50

ITEM	PART NAME	MATERIAL
1	Body	CF8M
2	Ball Seat	R-PTFE (15%)
3	Ball	316 Stainless Steel
4	Body Gasket	PTFE
5	Cap	CF8M
6	Spring Washer	304 Stainless Steel
7	Nut	304 Stainless Steel
8	Bolt	304 Stainless Steel
9	Stem	316 Stainless Steel
10	Thrust Washer	PTFE
11	Stem Packing	PTFE
12	Gland Nut	304 Stainless Steel
13	Handle	304 Stainless Steel
14	Spring Washer	304 Stainless Steel
15	Nut	304 Stainless Steel
16	Locking Device	304 Stainless Steel
17	Handle Cover	Plastic

#### TECHNICAL DATA

- Maximum Pressure: 1/4" - 1" = 82 Bar  
1.25" - 1.5" = 69 Bar  
2" - 3" = 62 Bar
- Working Temperature: -25°C to +200°C