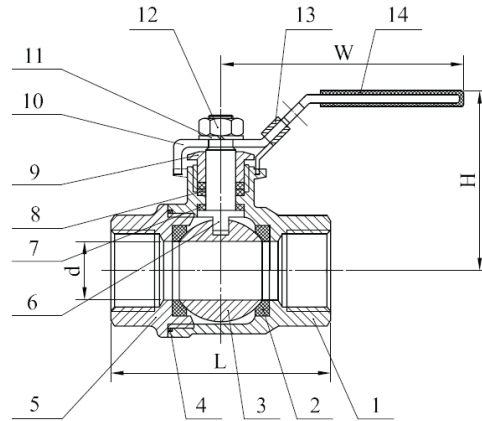


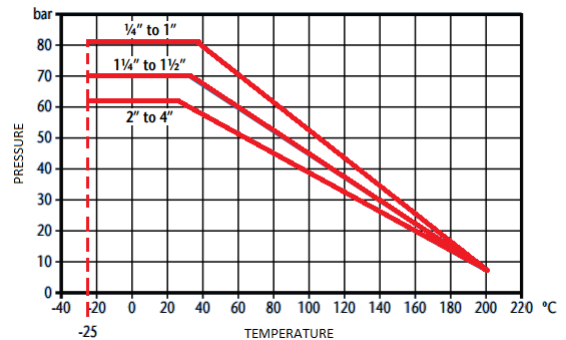

BDE (NORTHAMPTON) LTD

PN82 STAINLESS STEEL 2 PIECE BALL VALVE



FEATURES

- Screwed BSP Taper
- RPTFE (15%) Seats
- PTFE Seals
- Full Bore
- PN82 Rated
- Locking Device



DN	1/4"	3/8"	1/2"	3/4"	1"	1.25"	1.5"	2"	2.5"	3"
d	11.5	12.5	15	20	25	32	40	50	65	76
L	49	49	57	64	77	90	105	125	153	172
H	54	54	56	65	70	75	93	99	123	140
W	4	4	5	8	10	14	18	25	48	75
Kgs	0.23	0.23	0.24	0.45	0.65	1.05	1.70	2.41	5.01	7.61

ITEM	PART NAME	MATERIAL
1	Body	CF8M
2	Ball Seat	R-PTFE (15%)
3	Ball	316 Stainless Steel
4	Body Gasket	PTFE
5	Cap	CF8M
6	Stem	316 Stainless Steel
7	Thrust Washer	PTFE
8	Stem Packing	PTFE
9	Gland Nut	304 Stainless Steel
10	Washer	304 Stainless Steel
11	Spring Washer	304 Stainless Steel
12	Nut	304 Stainless Steel
13	Handle	304 Stainless Steel
14	Handle Cover	Plastic

TECHNICAL DATA

- Maximum Pressure: 1/4" - 1" = 82 Bar
1.25" - 1.5" = 69 Bar
2" - 3" = 62 Bar
- Working Temperature: -25°C to +200°C