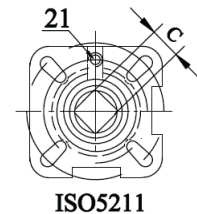
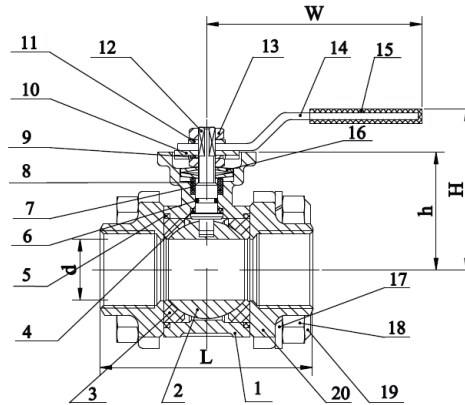




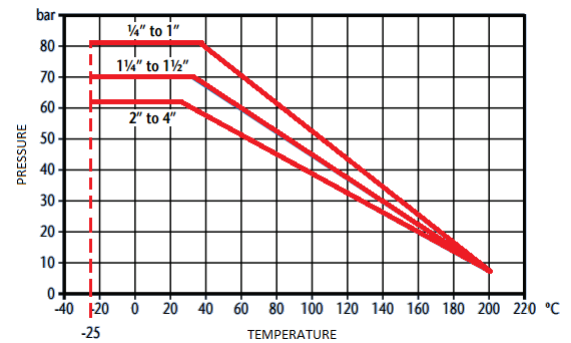
BDE (NORTHAMPTON) LTD

PN82 STAINLESS STEEL 3 PIECE BALL VALVE - ISO5211



FEATURES

- Screwed BSP Taper
- RPTFE (15%) Seats
- PTFE Seals
- Full Bore
- PN82 Rated
- Locking Device
- ISO5211 Direct Mount



DN	1/4"	3/8"	1/2"	3/4"	1"	1.25"	1.5"	2"	2.5"	3"	4"
d	11	12.5	15	20	25	32	40	50	65	80	100
L	50	60	75	80	90	110	120	140	185	205	240
H	59	59	70	78	87	98	104	112	140	153	166
h	32.5	32.5	42.0	50.0	58.0	64.0	69.5	78.0	100	112.5	112.5
W	115	115	117	134	134	203	203	203	255	255	302
C	9	9	9	11	11	14	14	14	17	17	17
ISO5211	F03	F03	F03/F04	F03/F04	F03/F04	F05/F07	F05/F07	F05/F07	F07/F010	F07/F010	F07/F010
Torque	4	4	5	8	10	14	18	25	48	75	110
Kgs	0.46	0.48	0.51	0.89	1.27	2.04	3.00	3.80	7.80	12.4	20.8

ITEM	PART NAME	MATERIAL
1	Body	CF8M
2	Ball	316 Stainless Steel
3	Ball Seat	R-PTFE (15%)
4	Thrust Washer	PTFE
5	Body Gasket	PTFE
6	O-Ring	Viton
7	Stem Packing	PTFE
8	Gland	304 Stainless Steel
9	Tab Washer	304 Stainless Steel
10	Stopper	304 Stainless Steel
11	Spring Washer	304 Stainless Steel
12	Stem	316 Stainless Steel
13	Nut	304 Stainless Steel
14	Handle	304 Stainless Steel
15	Handle Cover	Plastic
16	Belleville Washer	301 Stainless Steel
17	Spring Washer	304 Stainless Steel
18	Nut	304 Stainless Steel
19	Bolt	304 Stainless Steel
20	Cap	CF8M
21	Stop Pin	304 Stainless Steel

TECHNICAL DATA

- Maximum Pressure: 1/4" - 1" = 82 Bar
1.25" - 1.5" = 69 Bar
2" - 4" = 62 Bar
- Working Temperature: -25°C to +200°C

Tel: 01604 750380
Email: sales@bdeltd.co.uk

Fax: 01604 750377
www.bdeltd.co.uk