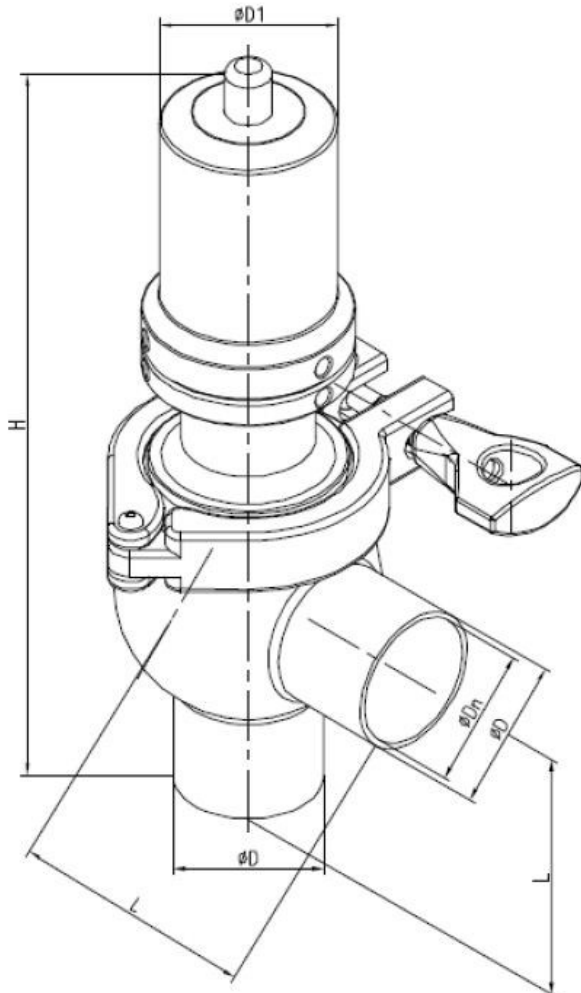




BDE (NORTHAMPTON) LTD

PRESSURE RELIEF VALVE



PRESSURE RELIEF VALVE INFORMATION:

- **AISI 316L Contact (Wetted) Parts**
- **1" , 1.5" & 2" OD Weld Ends**
- **Max Inlet Pressure: 10 bar**
- **Standard Spring: 0 - 6 bar**
- 0 - 10 bar relieving pressure
- Manual adjustable setting
- **ALTERNATIVE ENDS CAN BE WELDED - CLAMP,RJT,IDF,DIN,SMS**

NOTE: THIS VALVE IS NOT PRE-SET PRIOR TO DISPATCH

• **HYGIENIC PRESSURE RELIEF VALVE 316**

SIZE	1"	1.5"	2"
D	25.40	38.10	50.80
Dn	22.1	34.8	47.5
D1	45.0	45.0	51.0
H	222.5	240.0	260.0
L	50.0	60.0	70.0