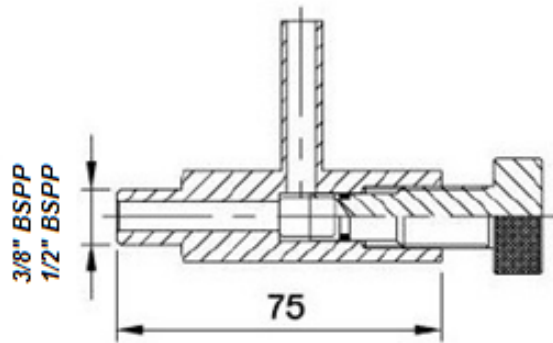




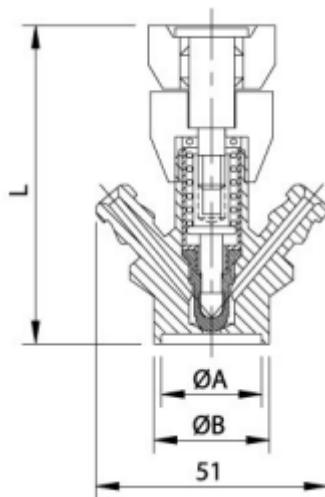
**BDE (NORTHAMPTON) LTD**

## SAMPLE COCK VALVES



### **SAMPLE COCK VALVE INFORMATION**

- 3/8" & 1/2" BSP parallel male threaded inlet
- Weld ended outlet
- EPDM Seal ring
- Grade 316 stainless steel
- Alternative outlets can be welded



### **ASEPTIC SAMPLE VALVE INFORMATION**

- For BPE use
- Grade 316 Stainless Steel
- EPDM Seal ring
- Temperature Range: -10° c to + 140° c
- 1" OD as standard

<b>SIZE</b>	<b>1"</b>
<b>ØA</b>	22.1
<b>ØB</b>	25.4
<b>L</b>	71.5