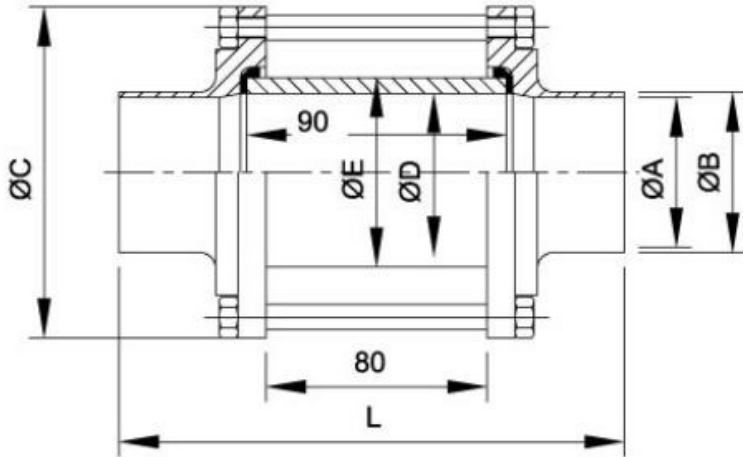




## BDE (NORTHAMPTON) LTD

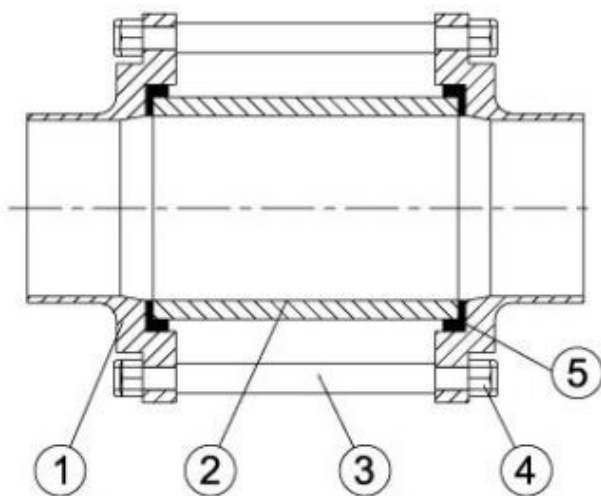
### HYGIENIC SIGHT GLASS



#### HYGIENIC SIGHT GLASS INFORMATION

- **GRADE 316 Stainless Steel Body**
- **GLASS:** Clean, High press glass (*PYREX Borosilicate*)
- **MAX WORKING PRESSURE** - See below table
- **GLASS SEAL:** EPDM
- **ALTERNATIVE ENDS CAN BE WELDED - CLAMP,RJT,IDF,DIN,SMS**

SIZE	1"	1.5"	2"	2.5"	3"	4"
ØA	22.1	34.8	47.5	60.2	72.9	97.6
ØB	25.4	38.1	50.8	63.5	76.2	101.6
ØC	79.0	85.0	105.0	112.0	125.0	157.0
ØD	26.0	34.0	50.0	65.0	75.4	100.0
ØE	32.0	40.0	60.0	75.0	85.0	110.0
L	148.0	156.0	160.0	160.0	162.0	167.0
Max Pressure	10 bar	10 bar	10 bar	9 bar	7 bar	7 bar



ITEM	MATERIAL
1	BODY
2	HIGH PRESS CLEAN GLASS
3	SCREW BOLT
4	NYLON LOCK NUT
5	SEAL

#### GLASS COMPOSITION

	SiO <sub>2</sub>	Al <sub>2</sub> O <sub>3</sub>	Fe <sub>2</sub> O <sub>3</sub>	B <sub>2</sub> O <sub>3</sub>	Na <sub>2</sub> O	K <sub>2</sub> O
%	80.9	2.3	0.03	12.7	4	0.04

Tel: 01604 750380  
Email: sales@bdeltd.co.uk

Fax: 01604 750377  
www.bdeltd.co.uk