



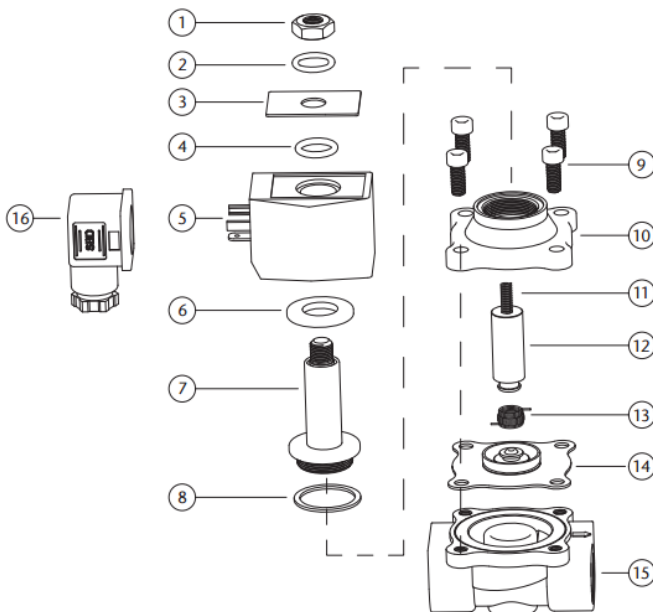
BDE (NORTHAMPTON) LTD

SOLENOID VALVE - NORMALLY CLOSED



AVAILABLE IN:

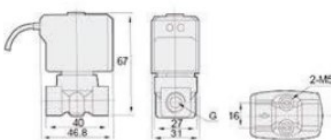
- 240VAC
- 110VAC
- 12VDC
- 24VDC
- 24VAC



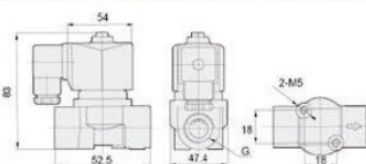
ITEM	PART NAME	MATERIAL
1	Lock Nut	302 Stainless Steel
2	Washer	302 Stainless Steel
3	Plate	Aluminium
4	O Ring	NBR / EPDM / Viton
5	Coil	Enamelled Wire
6	Base Plate	Plated Steel
7	Plunger Tube Unit	304 Stainless Steel + 1J117
8	Plunger Tube Seal	PTFE
9	Bolt	302 Stainless Steel
10	Valve Cover	Brass / 316 Stainless Steel
11	Plunger Spring	304 Stainless Steel
12	Pilot Unit	304 Stainless Steel + 1J117
13	Coil Spring	304 Stainless Steel
14	Diaphragm Unit	NBR / EPDM / Viton
15	Valve Body	Brass / 316 Stainless Steel
16	Plug	Nylon

Main Dimensions

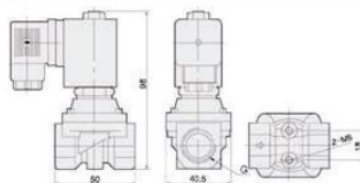
Orifice: 2.5mm - Port: 1/8" & 1/4"



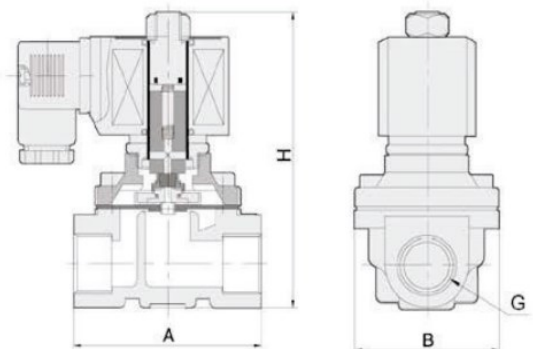
Orifice: 2.5mm - Port: 1/8" & 1/4"



Orifice: 10mm - Port: 1/4", 3/8, 1/2"



Large Orifice - See Table Opposite



Tel: 01604 750380
Email: sales@bdeltd.co.uk

Fax: 01604 750377
www.bdeldtd.co.uk



BDE (NORTHAMPTON) LTD

SOLENOID VALVE - NORMALLY CLOSED

Port Size (C)	Orifice	CV Value	Pressure Difference (Bar)						Max. Temp. (°C)	VA AC 220V	W DC 24V	220VAC 50/60Hz		Main Dimension AxBxH		
			Min.	Max. Working Pressure								Brass	316 Stainless Steel			
				Air / Gas		Water / Hot Liquid		Light Oil ≤20CST							316 Stainless Steel	
				AC	DC	AC	DC	AC								DC
1/8"	2.5	0.23	0	7	5	7	5	7	5	80	13	8.5	ZS06EE2-2.5L	ZS06EE2-2.5LS2	50x40.5x98	
	2.5	0.23	0	7	5	7	5	-	-	120	13	8.5	ZS06VE2-2.5L	ZS06VE2-2.5LS2	50x40.5x98	
	2.5	0.23	0	7	5	7	5	7	5	120	13	8.5	ZS06VE2-2.5L	ZS06VE2-2.5LS2	50x40.5x98	
1/4"	2.5	0.23	0	7	5	7	5	7	5	80	13	8.5	ZS08EE2-2.5L	ZS08EE2-2.5LS2	50x40.5x98	
	2.5	0.23	0	7	5	7	5	-	-	120	13	8.5	ZS08VE2-2.5L	ZS08VE2-2.5LS2	50x40.5x98	
	2.5	0.23	0	7	5	7	5	7	5	120	13	8.5	ZS08VE2-2.5L	ZS08VE2-2.5LS2	50x40.5x98	
	10	1	0	20	16	20	16	20	16	80	22	13	ZS08E2-10L	-	50x40.5x98	
	10	1	0	20	16	20	16	-	-	120	22	13	ZS08EE2-10L	-	50x40.5x98	
	10	1	0	20	16	20	16	20	16	120	22	13	ZS08VE2-10L	-	50x40.5x98	
3/8"	4	0.6		8	5	8	5	5	5	80	33	20	ZS10E2-4L	ZS10E2-4LS2	50x40.5x98	
	4	0.6	0	8	5	8	5	-	-	120	33	20	ZS10EE2-4L	ZS10EE2-4LS2	50x40.5x98	
	4	0.6	0	8	5	8	5	5	5	120	33	20	ZS10VE2-4L	ZS10VE2-4LS2	50x40.5x98	
	10	1.8	0	20	16	20	16	20	16	80	22	13	ZS10E2-10L	-	69x57x106	
	10	1.8	0	20	16	20	16	-	-	120	22	13	ZS10EE2-10L	-	69x57x106	
	10	1.8	0	20	16	20	16	20	16	120	22	13	ZS10VE2-10L	-	69x57x106	
	16	4.8	0	10	6	10	6	7	4	80	33	20	ZS10E2-16L	ZS10E2-16LS2	69x57x106	
	16	4.8	0	10	6	10	6	-	-	120	33	20	ZS10EE2-16L	ZS10EE2-16LS2	69x57x106	
	16	4.8	0	10	6	10	6	7	4	120	33	20	ZS10VE2-16L	ZS10VE2-16LS2	69x57x106	
1/2"	10	1.9	0	20	16	20	16	20	16	80	22	13	ZS15E2-10L	-	69x57x106	
	10	1.9	0	20	16	20	16	-	-	120	22	13	ZS15EE2-10L	-	69x57x106	
	10	1.9	0	20	16	20	16	20	16	120	22	13	ZS15VE2-10L	-	69x57x106	
	16	4.8	0	10	6	10	6	7	4	80	33	20	ZS15E2-16L	ZS15E2-16LS2	69x57x106	
	16	4.8	0	10	6	10	6	-	-	120	33	20	ZS15EE2-16L	ZS15EE2-16LS2	69x57x106	
	16	4.8	0	10	6	10	6	7	4	120	33	20	ZS15VE2-16L	ZS15VE2-16LS2	69x57x106	
3/4"	20	7.6	0	10	6	10	6	7	4	80	33	20	ZS-20E2	ZS-20E2S2	73x57x114	
	20	7.6	0	10	6	10	6	-	-	120	33	20	ZS-20EE2	ZS-20EE2S2	73x57x114	
	20	7.6	0	10	6	10	6	7	4	120	33	20	ZS-20VE2	ZS-20VE2S2	73x57x114	
1"	25	12	0	10	6	10	6	7	4	80	33	20	ZS-25E2	ZS-25E2S2	99x77x121	
	25	12	0	10	6	10	6	-	-	120	33	20	ZS-25EE2	ZS-25EE2S2	99x77x121	
	25	12	0	10	6	10	6	7	4	120	33	20	ZS-25VE2	ZS-25VE2S2	99x77x121	
	25	12	0	10	6	3	3	-	-	120	33	20	ZS-25GE2	ZS-25GE2S2	99x77x121	
1.1/4"	35	24	0	10	6	10	6	7	4	80	70	40	ZS-35E2	ZS-35E2S2	112x86.5x150	
	35	24	0	10	6	10	-	-	-	120	70	40	ZS-35EE2	ZS-35EE2S2	112x86.5x150	
	35	24	0	10	6	10	6	7	4	120	70	40	ZS-35VE2	ZS-35VE2S2	112x86.5x150	
1.1/2"	40	29	0	10	6	10	6	7	4	80	70	40	ZS-40E2	ZS-40E2S2	123x94x160	
	40	29	0	10	6	10	-	-	-	120	70	40	ZS-40EE2	ZS-40EE2S2	123x94x160	
	40	29	0	10	6	10	6	7	7	120	70	40	ZS-40VE2	ZS-40VE2S2	123x94x160	
2"	50	48	0	10	6	10	6	7	4	80	70	40	ZS-50E2	ZS-50E2S2	168x123x183	
	50	48	0	10	6	10	-	-	-	120	70	40	ZS-50EE2	ZS-50EE2S2	168x123x183	
	50	48	0	10	6	10	6	7	4	120	70	40	ZS-50VE2	ZS-50VE2S2	168x123x183	
1" Flange Connection	25	12	0	10	6	10	6	7	4	80	70	40	-	ZSFE2-25LS2	140x115x160	
	25	12	0	10	6	10	6	7	4	120	70	40	-	ZSFE2-25LS2	140x115x160	
1 1/4" Flange Connection	32	24	0	10	6	10	6	7	4	80	70	40	-	ZSFE2-32LS2	152x135x215	
	32	24	0	10	6	10	-	-	-	120	70	40	-	ZSFE2-32LS2	152x135x215	
1 1/2" Flange Connection	40	29	0	10	6	10	6	7	4	80	70	40	-	ZSFE2-40LS2	152x135x215	
	40	29	0	10	6	10	-	-	-	120	70	40	-	ZSFE2-40LS2	152x135x215	
2" Flange Connection	50	48	0	10	6	10	6	7	4	80	70	40	-	ZSFE2-50LS2	195x160x220	
	50	48	0	10	6	10	6	-	-	120	70	40	-	ZSFE2-50LS2	195x160x220	
	50	48	0	10	6	10	6	7	4	120	70	40	-	ZSFE2-50LS2	195x160x220	
2 1/2" Flange Connection	65	75	0	6	5	6	5	3	2	80	55	64	-	ZSFE2-65LS2	250x185x308	
	65	75	0	6	5	6	5	-	-	120	55	64	-	ZSFE2-65LS2	250x185x308	
	65	75	0	6	5	6	5	3	2	120	55	64	-	ZSFE2-65LS2	250x185x308	
3" Flange Connection	80	90	0	6	5	6	5	3	2	80	55	64	-	ZSFE2-80LS2	270x202x320	
	80	90	0	6	5	6	5	-	-	120	55	64	-	ZSFE2-80LS2	270x202x320	
	80	90	0	6	5	6	5	3	2	120	55	64	-	ZSFE2-80LS2	270x202x320	
4" Flange Connection	100	160	0	6	5	6	5	3	2	80	55	64	-	ZSFE2-100LS2	342x222x345	
	100	160	0	6	5	6	5	-	-	120	55	64	-	ZSFE2-100LS2	342x222x345	
	100	160	0	6	5	6	5	3	2	120	55	64	-	ZSFE2-100LS2	342x222x345	