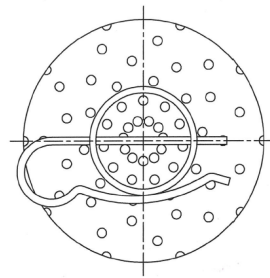
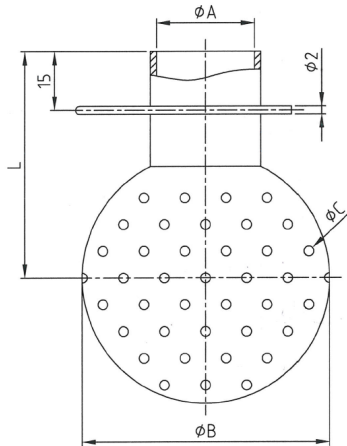




BDE (NORTHAMPTON) LTD

SPRAYBALLS



SIZE	A	B	C	L	HEIGHT	FIXING	ANGLE	SPRAYING CIRCLE DIA (mtrs)	FLOW RATE Cu mtr/hr @ 1 bar
3/4"	19.05	40	1.6	40	45	Clip	360	0.8 - 1.5	2.8
								1.0 - 2.0	5.1
1"	25.4	64	2.5	58	85	Clip	360	1.5 - 2.5	3.0
								1.8 - 2.5	7.0
								2.0 - 3.0	9.8
								2.5 - 3.5	12.8
								3.0 - 4.0	15.3
1.5"	38.1	64	2.5	58	85	Clip	360	2.6	18.8

SPRAYBALL INFORMATION

- Grade 316 Stainless Steel
- 3/4", 1" & 1.5" Inlet available
- 360° Spray Pattern