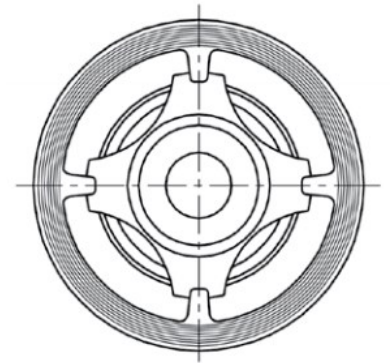
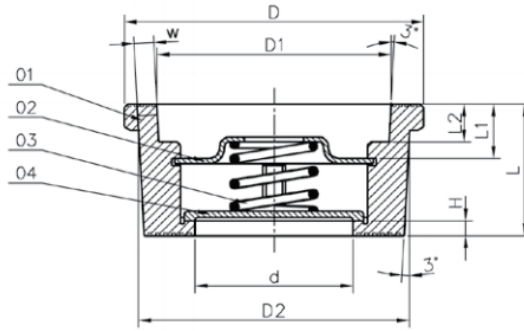




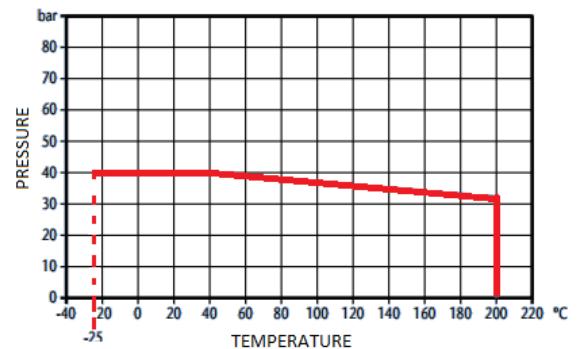
**BDE (NORTHAMPTON) LTD**

## PN40 STAINLESS STEEL WAFER SPRING CHECK VALVE



### FEATURES

- Wafer Pattern to suit PN10, 16, 40 & ANSI 150, 300 Flanges
- Metal Seat
- PN16 Rated



DN	1/2"	3/4"	1"	1.25"	1.5"	2"	2.5"	3"	4"
d	15	20	25	32	40	48	62	75	95
D	39	46	54	70	81	94	113	132	150
D1	28.3	35.7	40	52.4	61	75.4	90	109	125.3
D2	34	41	49	62	71	85	102	123	140
W	3.1	3.3	4.5	4.8	5	5.3	6	7	7.5
L	16	19	22	28	32	40	46	50	60
L1	4	5	5.5	8	10	15	17.5	18	23
L2	2	2	3	4	4	4	5	5	6
H	3.5	4	4	5	5.5	6	6.5	7.5	8.5
Kgs	0.10	0.14	0.22	0.39	0.54	0.77	1.25	1.90	2.80

ITEM	PART NAME	MATERIAL
1	Body	CF8M
2	Spring Cover	316 Stainless Steel
3	Spring	316 Stainless Steel
4	Disc	CF8M

### TECHNICAL DATA

- Maximum Pressure: 40 Bar
- Working Temperature: -25°C to +200°C

Tel: 01604 750380  
Email: sales@bdeltd.co.uk

Fax: 01604 750377  
www.bdeltd.co.uk