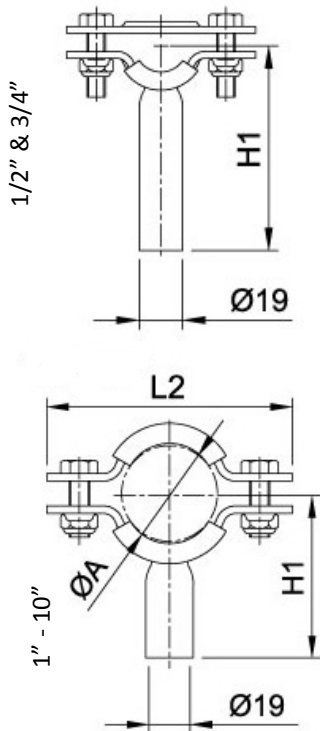




BDE (NORTHAMPTON) LTD

TUBE SUPPORTS

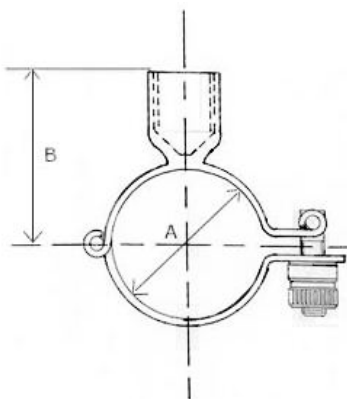


- ANTI-VIBRATION CLIP 304**

SIZE	1/2"	3/4"	1"	1.25"	1.5"	2"	2.5"
A	12.70	19.05	25.40	32.00	38.10	50.80	63.50
H1	90.00	90.00	90.00	90.00	90.00	90.00	90.00
L2	83.00	83.00	83.00	90.00	97.70	111.70	124.00
WIDTH	25.00	25.00	25.00	25.00	25.00	25.00	25.00
SIZE	3"	4"	5"	6"	8"	10"	
A	76.20	101.60	129.00	154.00	204.00	254.00	
H1	90.00	90.00	130.00	140.00	160.00	180.00	
L2	144.50	162.00	196.00	217.00	281.00	330.00	
WIDTH	25.00	25.00	25.00	25.00	25.00	25.00	

Complete with blue inserts & Nylok nuts.

Also stocked with M10 boss (1"-3") & M12 Boss (4")



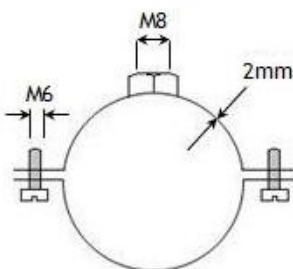
- HINGED PIPE CLIP 304**

SIZE	1/2"	3/4"	1"	1.25"	1.5"	2"	2.5"	3"	4"
A	12.70	19.00	25.40	33.40	38.10	50.80	63.50	76.20	101.60
B	40.00	40.00	45.00	50.00	50.00	60.00	65.00	70.00	80.00
WIDTH	19.00	19.00	19.00	19.00	19.00	19.00	19.00	19.00	19.00

Complete with 1/2" BSP Boss

Alternative thread sizes available on request

Also stocked with M10/M12 Boss



- MUNSEN RING**

SIZE	1/4"	3/8"	1/2"	3/4"	1"	1.25"	1.5"	2"
------	------	------	------	------	----	-------	------	----

Extended stem also available on a short lead time.