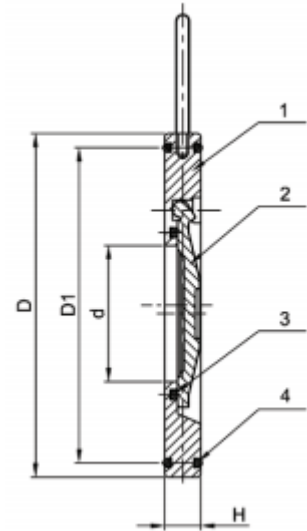
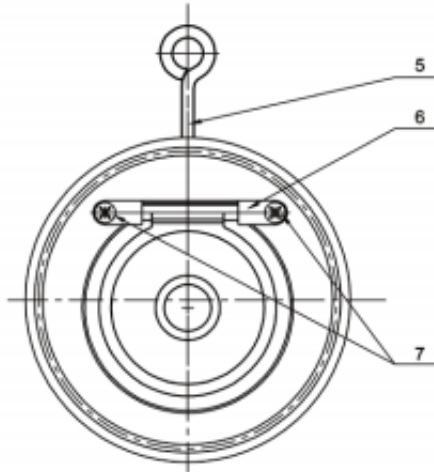




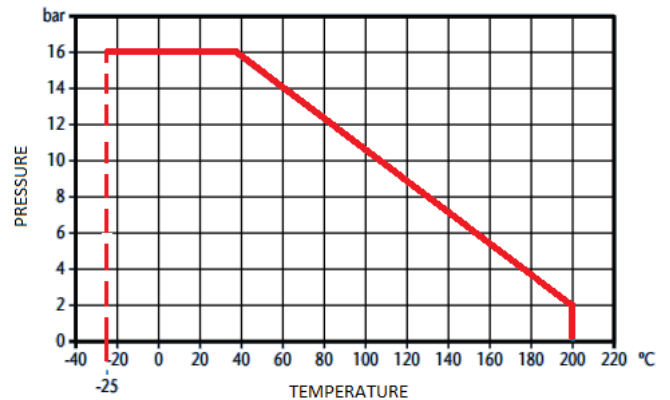
BDE (NORTHAMPTON) LTD

PN16 STAINLESS STEEL WAFER CHECK VALVE



FEATURES

- Wafer Pattern to suit PN16 & ASA 150 Flanges
- Viton seats & seals
- Suitable for upwards or horizontal flow
- PN16 Rated



DN	2"	2.5"	3"	4"	5"	6"	8"	10"	12"
d	32	40	54	70	92	114	154	200	230
D	105	124	136	164	194	220	275	330	384
D1	84	96	117.5	148	166	197	249	310	358
H	14	14	14	18	18	20	22	26	30
Kgs	0.85	1.15	1.34	2.30	3.10	4.40	7.10	12.0	20.5

ITEM	PART NAME	MATERIAL
1	Body	CF8M
2	Disc	CF8M
3	Disc O'ring	Viton
4	External O'ring	Viton
5	Hook	Steel
6	Stem Stopper	316 Stainless Steel
7	Axis Screw	316 Stainless Steel

TECHNICAL DATA

- Maximum Pressure: 16 Bar
- Working Temperature: -25°C to +200°C

Tel: 01604 750380
Email: sales@bdeltd.co.uk

Fax: 01604 750377
www.bdeltd.co.uk