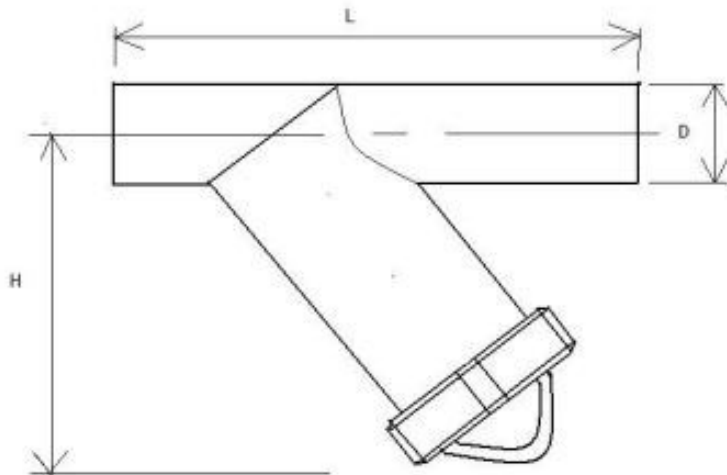


MINI STRAINER



- **MINI STRAINER 316**

SIZE	D	L	H
1"	25.4mm x 1.65	120	115
1.5"	38.1mm x 1.65	177	120

BDE "MINI STRAINER"

- Material - Grade 316 Stainless Steel
- FPM seal
- ELEMENT: 1mm as standard
- OPTIONAL ELEMENTS - 0.5mm, 2mm & 3mm (For 1" strainer only)
- 1" & 1.5" OD WELD ENDS AS STANDARD - CAN BE FITTED WITH UNION ENDS IN HOUSE
- COMPACT DESIGN

DUE TO CONTINUOUS DEVELOPMENT & INNOVATION, WE RESERVE THE RIGHT TO CHANGE THE DESIGN/DIMENSIONS WITHOUT PRIOR NOTICE