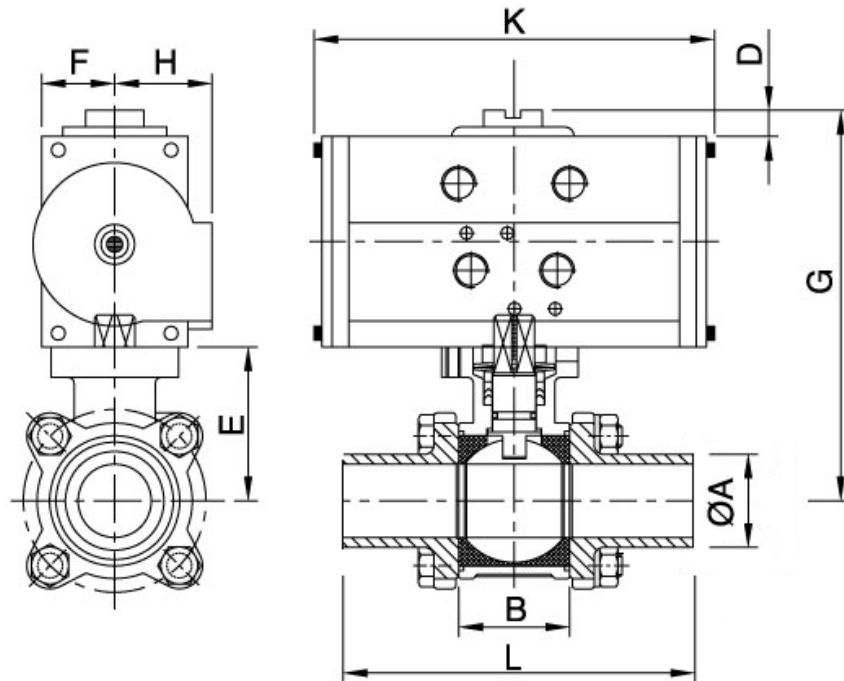




BDE (NORTHAMPTON) LTD

ACTUATED SANITARY BALL VALVE 316



• **ACTUATED HYGIENIC SANITARY BALL VALVE 316**

SIZE	1/2"	3/4"	1"	1.5"	2"	2.5"	3"	4"
ØA	12.7	19.05	25.4	38.1	50.8	63.5	76.2	101.6
B	37.0	37.0	42.0	50.0	50.0	72.0	72.0	95.0
G	121.0	131.0	156.2	196.2	227.2	250.2	278.7	302.2
L	89.0	101.0	114.0	140.0	156.0	197.0	229.0	241.0
TORQUE LBS/INCH	90	100	140	240	480	650	1150	1400

DN	15	20	25	40	50	65	80	100
VDA/VSR	C-125	C-125	C-250	C-450	C-1000	C-1000	C-2250	C-2250
D	20	20	20	20	20	20	20	30
F	28.5	28.5	33.6	43.6	54.6	54.5	65.0	65.0
H	33.7	33.7	47.5	51.5	64.5	64.5	75.5	75.5
K	120.0	120.00	144.3	149.2	183.0	183.0	259.6	259.6

ACTUATOR INFORMATION:

- **EXTRUDED ALUMINIUM ALLOY BODY**
- **OPERATING PRESSURE RANGE: 40 - 120PSI**

OPTIONAL SWITCH BOX: C/W 2 MICRO-SWITCHES
OPTIONAL SOLENOID VALVE: 24V DC / 5-PORT