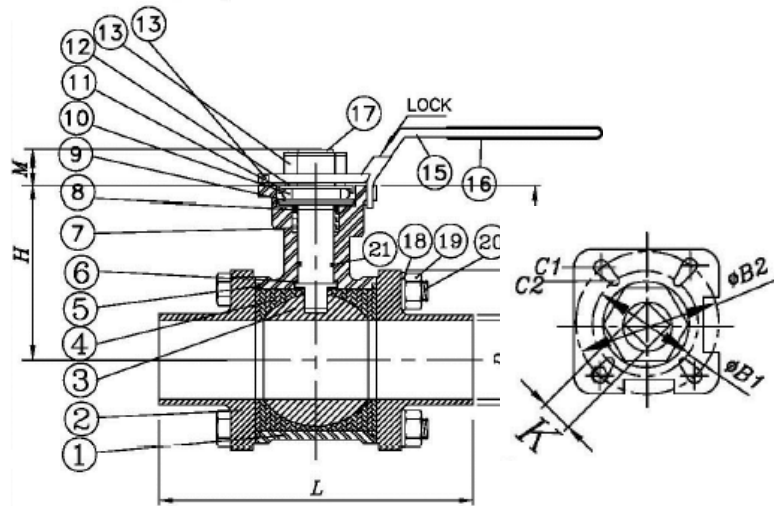




BDE (NORTHAMPTON) LTD

DIN SERIES 2 - DIRECT MOUNT SANITARY BALL VALVE



SIZE	1/2"	3/4"	1"	1.25"	1.5"	2"	2.5"	3"	4"
ISO 5211	F03-04	F03-04	F04-05	F04-05	F05-07	F05-07	F07-10	F07-10	F10-12
D	15	20	25	32	38	50	65	80	100
L	70	85	95	110	120	142	164	188	228
H	37	47	57.2	62.5	78.2	86.2	109.2	117.7	141.2
M	9	9	11	11	14	14	17	17	22
ØB1	36	36	42	42	50	50	70	70	102
ØB2	42	42	50	50	70	70	102	102	125
K	9	9	11	11	14	14	17	17	22
D1	18.2	23.2	28.2	35.2	41.2	53.2	69	84	104
C1	Ø6	Ø6	Ø6	Ø6	Ø8	Ø8	Ø10	Ø10	Ø12
C2	Ø6	Ø6	Ø8	Ø8	Ø10	Ø10	Ø12	Ø12	Ø14
INCH / LBS	90	100	140	200	240	480	650	1150	1400
X	15.5	20.6	29		39	42	48	48.7	34

ITEM	PART NAME	MATERIAL
1	BODY	CF8M (316)
2	CAP	CF8M (316)
3	BALL	CF8M (316)
4	SEAT	PTFE (RTFE)
5	GASKET	PTFE
6	THRUST PACKING	PTFE
7	STEM PACKING	PTFE
8	RING	AISI 304
9	BELLEVILLE WASHER	AISI 304
10	STEM NUT	AISI 304
11	LOCK WASHER	AISI 304
12	RING	AISI 304
13	HANDLE NUT	AISI 304
14	STOP PIN	AISI 304
15	HANDLE	AISI 304
16	HANDLE SLEEVE	PLASTIC
17	STEM	AISI 316
18	SPRING WASHER	AISI 304
19	BOLT NUT	AISI 304
20	BOLT	AISI 304
21	O-RING	VITON

HYGIENIC BALL VALVE INFORMATION:

HYGIENIC STANDARD

PTFE CAVITY SEAL - CREVICE FREE

MAX WORKING PRESSURE UP TO 10 BAR.

LOCKABLE HANDLE & ISO MOUNTING PAD AS STANDARD

FULL ACTUATION PACKAGE AVAILABLE FROM STOCK.

TORQUE DOES NOT INCLUDE SAFETY AND IS BASED ON WATER

DN25, DN40, DN50 & DN65 CURRENTLY AVAILABLE FROM STOCK.

REMAINING SIZES AVAILABLE TO ORDER ON A SHORT LEAD TIME.

ALTERNATIVE ENDS CAN BE WELDED

CLAMP, RJT, DIN, SMS, IDF

Tel: 01604 750380
Email: sales@bdeltd.co.uk

Fax: 01604 750377
www.bdeldtd.co.uk