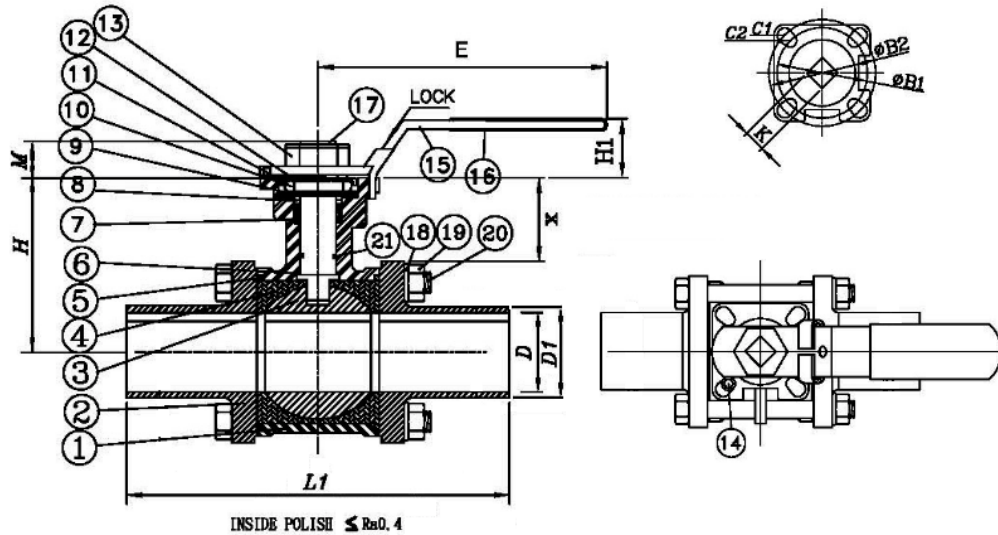




BDE (NORTHAMPTON) LTD

SANITARY BALL VALVE 316



SIZE	1/2"	3/4"	1"	1.5"	2"	2.5"	3"	4"
ISO 5211	F03-04	F03-04	F04-05	F05-07	F05-07	F07-10	F07-10	F10-12
ØD	9.5	15.9	22.2	35.0	47.6	60.3	73.0	97.4
ØD1	12.7	19.05	25.4	38.1	50.8	63.5	76.2	101.6
L1	89.0	101.00	114.0	140.0	156.0	197.0	229.0	241.0
H	37.0	47.0	57.2	78.2	86.2	109.2	116.2	133.5
M	9	9	11	14	14	17	17	22
E	143.0	143.0	160.0	187.0	187.0	310.0	310.0	400.0
B1	36	36	42	50	50	70	70	102
B2	42	42	50	70	70	102	102	125
E	143	143	160	187	187	310	310	400
K	9	9	11	14	14	17	17	22
H1	26.0	26.0	34.0	43.0	43.0	53.0	53.0	56.0
C1	6	6	6	8	8	10	10	12
C2	6	6	8	10	10	12	12	14
X	15.5	20.6	29.0	39.0	42.0	48.0	48.7	34.0
TORQUE IN/LBS	90	100	140	240	480	650	1150	1400

ITEM	PART NAME	MATERIAL
1	BODY	ASTM-A351-CF8M (316)
2	CAP	ASTM-A351-CF8M (316)
3	BALL	A351-CF8M (316)
4	SEAT	PTFE
5	GASKET	PTFE
6	THRUST PACKING	PTFE
7	STEM PACKING	PTFE
8	RING	304
9	BELLEVILLE WASHER	304
10	STEM NUT	304
11	LOCK WASHER	304
12	RING	304
13	HANDLE NUT	304
14	STOP PIN	304
15	HANDLE	304
16	HANDLE SLEEVE	PLASTIC
17	STEM	316
18	SPRING WASHER	304
19	BOLT NUT	304
20	BOLT	304
21	O-RING	VITON

HYGIENIC BALL VALVE INFORMATION:

HYGIENIC STANDARD

PTFE CAVITY SEAL - CREVICE FREE

MAX WORKING PRESSURE UP TO 10 BAR

LOCKABLE HANDLE & ISO MOUNTING PAD AS STANDARD

FULL ACTUATION PACKAGE AVAILABLE FROM STOCK.

TORQUE DOES NOT INCLUDE SAFETY AND IS BASED ON WATER

ALTERNATIVE ENDS CAN BE WELDED

CLAMP, RJT, DIN, SMS, IDF

Tel: 01604 750380
Email: sales@bdeld.co.uk

Fax: 01604 750377
www.bdeld.co.uk