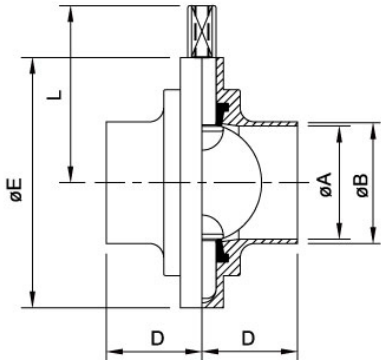




BDE (NORTHAMPTON) LTD

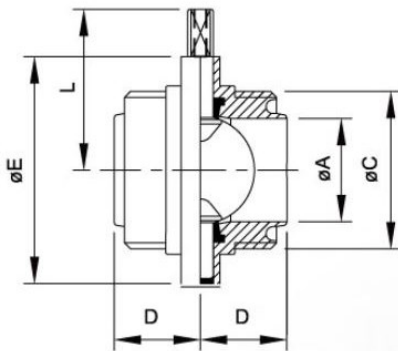
HYGIENIC BUTTERFLY VALVE



• **PLAIN WELD ENDED BUTTERFLY VALVE 316**

SIZE	1"	1.5"	2"	2.5"	3"	4"	6"
ØA	22.1	34.8	47.5	60.2	72.2	97.6	146.8
ØB	25.4	38.1	50.8	63.5	76.2	101.6	152.4
D	34.0	38.0	40.0	40.0	41.0	44.0	57.0
ØE	79.0	85.0	105.0	112.0	125.0	157.0	214.0
L	61.0	64.3	74.3	77.6	84.8	101.7	139.0

ALTERNATIVE ENDS CAN BE WELDED - CLAMP/RJT/DIN/IDF OR SMS



• **RJT MALE x MALE BUTTERFLY VALVE 316**

SIZE	1"	1.5"	2"	2.5"	3"	4"
ØA	22.1	34.9	47.6	60.3	73.0	97.6
ØB	45.72 x 8T WHIT	58.42 x 8T WHIT	72.72 x 6T WHIT	85.42 x 6T WHIT	98.12 x 6T WHIT	123.52 x 6T WHIT
D	34.0	38.0	40.0	40.0	41.0	50.0
ØE	79.0	85.0	105.0	112.0	125.0	157.0
L	61.0	64.3	74.3	77.6	84.8	101.7

- Stocked from 1" OD - 6" OD
- Weld Ends & RJT Male x Male available ex stock - Alternative ends of your choice can be supplied.
- EPDM seal as standard - Viton & Silicone seals also kept.
- 12 position plastic handle - C/W 304 stainless steel gripper bar as standard
- Other handles are available - See Butterfly Valve Spares

Valve Information:

- **BODY:** Fully machined from 316 forging.
- **DISC:** Fully machined, highly polished - Ra less than 0.6 µm
- **DISC DRIVE HEAD:** 8mm x 12mm
- **MAX PRESSURE:** For use up to 150psi / 10bar.