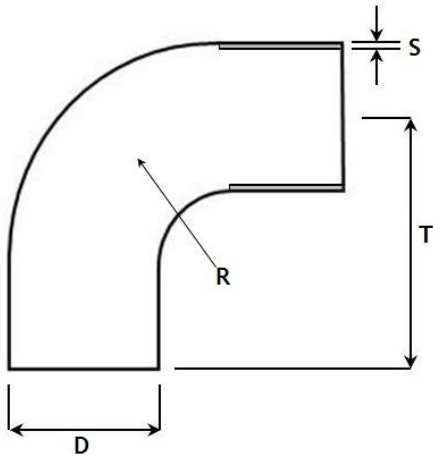




BDE (NORTHAMPTON) LTD

SHORT & LONG RADIUS ELBOWS

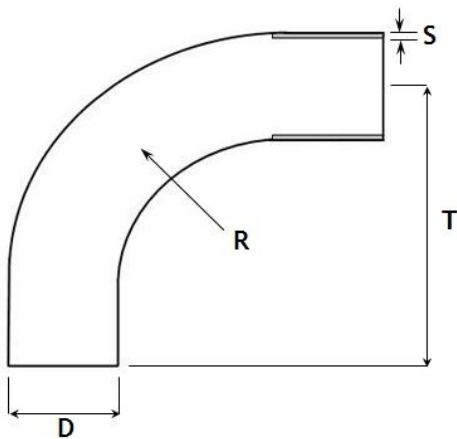


• ***R = 1 x D 90 DEGREE BEND***

SIZE	1"	1.25"	1.5"	2"	2.5"	3"	4"
D	25.40	31.80	38.10	50.80	63.50	76.10	101.60
S	1.50	1.50	1.50	1.50	1.50	1.60	2.00
R	25.00	32.00	38.00	51.00	63.00	76.00	110.00
T	55.00	66.00	70.00	82.00	105.00	110.00	150.00

Finishes: Polished & Descaled

Grades: 304L & 316L

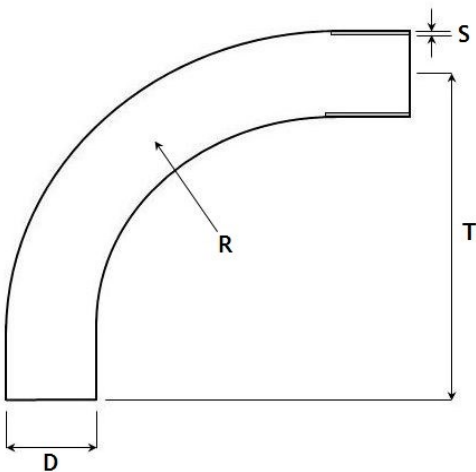


• ***R = 2 x D 90 DEGREE BEND***

SIZE	1"	1.5"	2"	2.5"	3"	4"
D	25.40	38.10	50.80	63.50	76.10	101.60
S	1.60	1.60	1.60	1.60	1.60	2.00
R	51.00	76.00	101.00	127.00	152.00	203.00
T	102.00	105.00	130.00	160.00	200.00	203.00

Finishes: Polished & Descaled

Grades: 316L



• ***R = 3 x D 90 DEGREE BEND***

SIZE	1"	1.5"	2"	2.5"	3"	4"
D	25.40	38.10	50.80	63.50	76.10	101.60
S	1.50	1.50	1.50	1.50	1.60	2.00
R	75.00	115.00	150.00	185.00	215.00	200.00
T	115.00	140.00	225.00	230.00	250.00	235.00

Finishes: Polished & Descaled

Grades: 316L

ALTERNATIVE ENDS CAN BE WELDED - CLAMP/RJT/DIN/IDF OR SMS